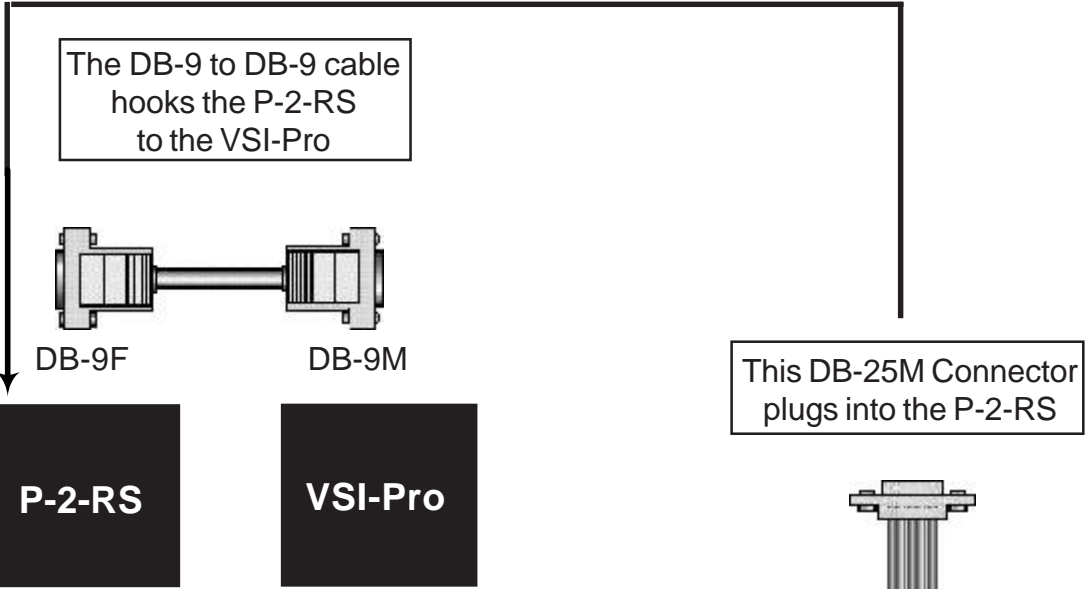


P-2-RS Installation



Parallel Device with DB-25 Connectors



The pin out for the cable between the P-2-RS and the VSI-Pro is as follows:

<u>P-2-RS DB-9F</u>	<u>VSI-Pro DB-9M</u>
3-----	2
1-----	5

This DB-25M Connector plugs into the P-2-RS



The device's parallel cable plugs back into this DB-25M Connector

This DB-25F Connector plugs into the device's parallel port

Refer to the VSI-Pro Operation Manual for further instructions on programming your VSI-Pro.